



METAL STAMPING & FABRICATION

Alpha Products, Inc.

Metal Stamping & Fabrication

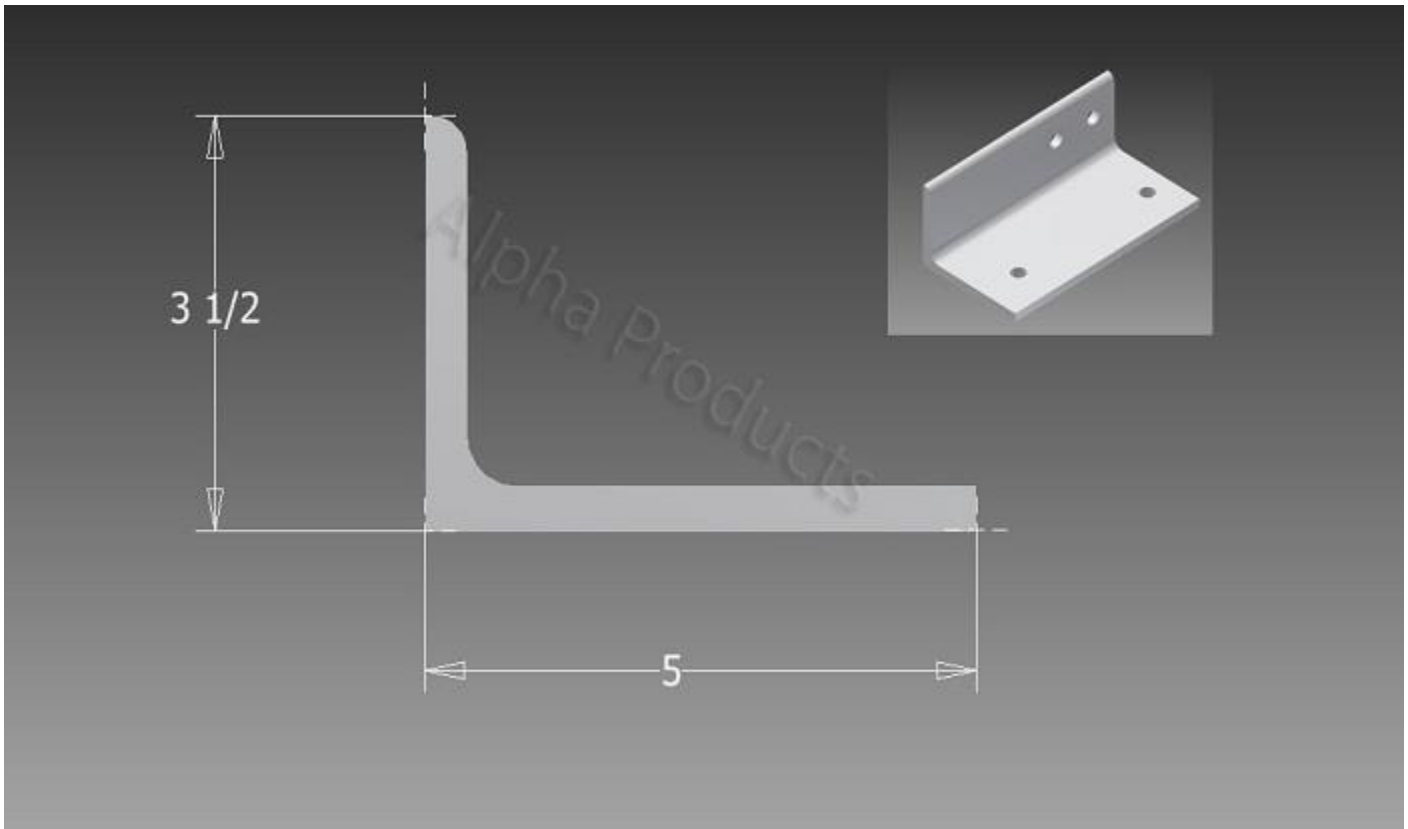
Phone: (708) 594-3883

Address: 5570 W. 70th Place
Chicago (Bedford Park)
Illinois 60638

Fax: (708) 594-6052
E-Mail: orders@alphaproductsinc.com
Web: www.alphaproductsinc.com

Product Name: AP-B710(right) Y-Shaped Angle Bracket

Part Number: AP-B710(right)



Description:

Material is 6061-T6 Aluminum.

For more information, please do not hesitate to contact us at (708) 594-3883